

# EcoDrive

## Dual-Stage, Oil-Sealed Rotary Vane Vacuum Pump

**EcoDrive** is a dual-stage, oil-sealed rotary vane vacuum pump equipped with a high-efficiency Permanent Magnet motor. With a new advanced feature, “Eco Mode”, the pump runs at peak efficiency, optimizing both energy consumption and noise. This technology is ideal for industrial applications due to its performance and reliability, ensuring long-term productivity.



▶ **Gas Ballast**

Adjustable gas ballast allows for the different requirements of condensable gas to be exhausted.

▶ **Oil**

Proprietary mineral oil included with the pump. All models can also be prepped with high performance PFPE.

▶ **Anti-Suck Back Design**

Protects vacuum system from backstreaming oil contamination in the event of an unexpected shut down.



▶ **Eco Mode**

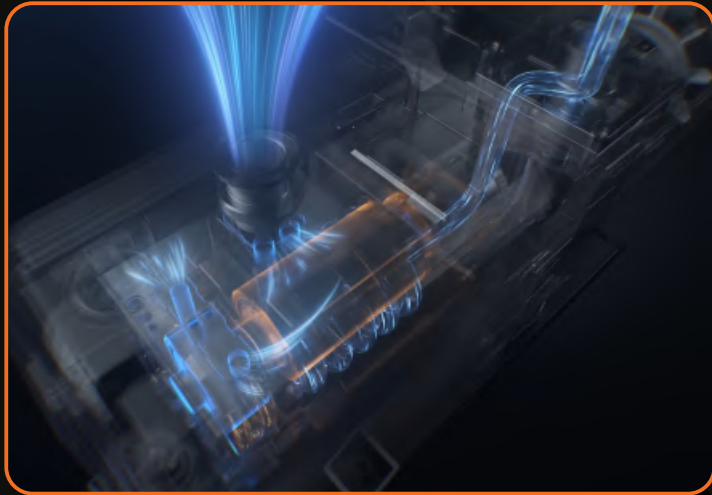
The pump is equipped with variable-frequency motor, and the Eco Mode allows the pump to run at peak efficiency, optimizing both energy consumption and noise.



**ED8**

# EcoDrive

## Dual-Stage, Oil-Sealed Rotary Vane Vacuum Pump



- ▶ **Permanent Magnet Motor**  
Advanced motor design allows for low energy consumption in the quietest environments.
- ▶ **Fast Pumping Speed**  
ED30 provides the fastest pumping speed with the lowest energy consumption.
- ▶ **Proprietary Coating**  
Special coating helps protect against corrosive environment.



### ▶ **Corrosion Resistant**

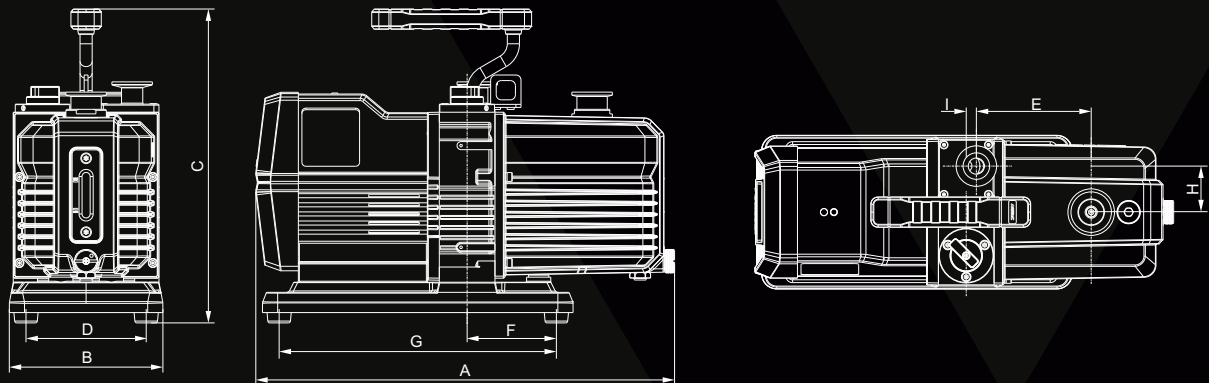
EcoDrive Series ED16, ED24, ED30 are designed with a proprietary coating to perform in corrosive applications.

# EcoDrive

▼ Dual-Stage, Oil-Sealed Rotary Vane Vacuum Pump

SPEC		ED4	ED8	ED12
Pumping Speed (60Hz)	m <sup>3</sup> /h (CFM)	4 (2.4)	8 (4.7)	10 (5.9)
Ultimate Total Pressure without Gas Ballast	mbar (Torr)	8x10 <sup>-3</sup> (6x10 <sup>-3</sup> )	8x10 <sup>-3</sup> (6x10 <sup>-3</sup> )	8x10 <sup>-3</sup> (6x10 <sup>-3</sup> )
Ultimate Total Pressure with Gas Ballast	mbar (Torr)	2 (1.5)	2 (1.5)	2 (1.5)
Power Supply		Single Phase	Single Phase	Single Phase
Power Rating	kW	370	370	370
Motor Speed	rpm	1500	1500	1850
Inlet/Outlet		KF25	KF25	KF25
Oil Capacity	L	1	1	1
Noise Level	dB	≤53	≤53	≤53
Weight	lbs	29.7	32	32
Dimensions (L*W*H)	in	16.3x6x12.2	16.3x6x12.2	16.3x6x12.2

## Dimensions



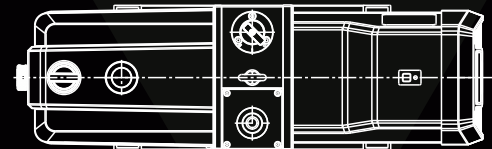
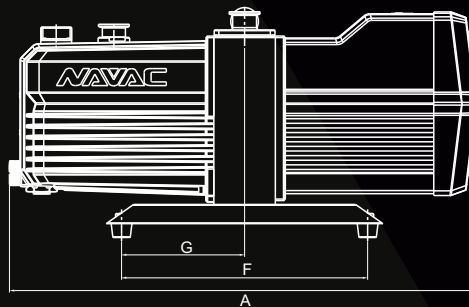
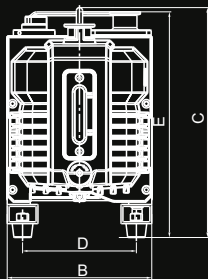
Model	A	B	C	D	E	F	G	H	I	Inlet	Outlet
ED4	16.3	6	12.2	4.7	4.5	3.4	10.7	1.8	0.4	KF25	KF25
ED8	16.3	6	12.2	4.7	4.5	3.4	10.7	1.8	0.4	KF25	KF25
ED12	16.3	6	12.2	4.7	4.5	3.4	10.7	1.8	0.4	KF25	KF25

# EcoDrive

▼ Dual-Stage, Oil-Sealed Rotary Vane Vacuum Pump

SPEC		ED16	ED24	ED30
Pumping Speed (60Hz)	m <sup>3</sup> /h (CFM)	16 (9.4)	24 (14)	30 (18)
Ultimate Total Pressure without Gas Ballast	mbar (Torr)	8x10 <sup>-3</sup> (6x10 <sup>-3</sup> )	8x10 <sup>-3</sup> (6x10 <sup>-3</sup> )	8x10 <sup>-3</sup> (6x10 <sup>-3</sup> )
Ultimate Total Pressure with Gas Ballast	mbar (Torr)	8x10 <sup>-2</sup> (6x10 <sup>-2</sup> )	8x10 <sup>-2</sup> (6x10 <sup>-2</sup> )	8x10 <sup>-2</sup> (6x10 <sup>-2</sup> )
Power Supply		Single Phase	Single Phase	Single Phase
Power Rating	kW	1.1	1.1	1.1
Motor Speed	rpm	1500	1500	1500
Inlet/Outlet		KF25	KF25	KF25
Oil Capacity	L	2.2	2.2	2.2
Noise Level	dB	≤58	≤58	≤58
Weight	lbs	62	64	66
Dimensions (L*W*H)	in	23.9x7.4x11.8	23.9x7.4x11.8	23.9x7.4x11.8

## Dimensions



Model	A	B	C	D	E	F	G	Inlet	Outlet
ED16	23.9	7.4	11.8	5.8	11.5	12.6	6.3	KF25	KF25
ED24	23.9	7.4	11.8	5.8	11.5	12.6	6.3	KF25	KF25
ED30	23.9	7.4	11.8	5.8	11.5	12.6	6.3	KF25	KF25